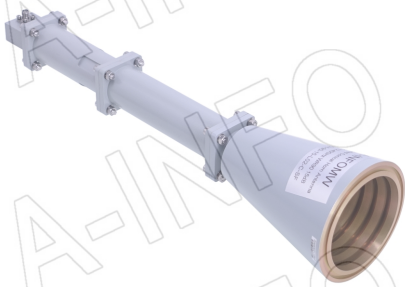


For reference only. See data sheet for the detailed specifications.

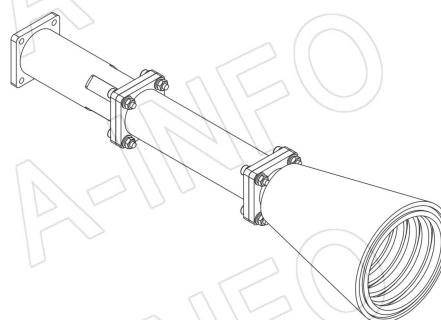
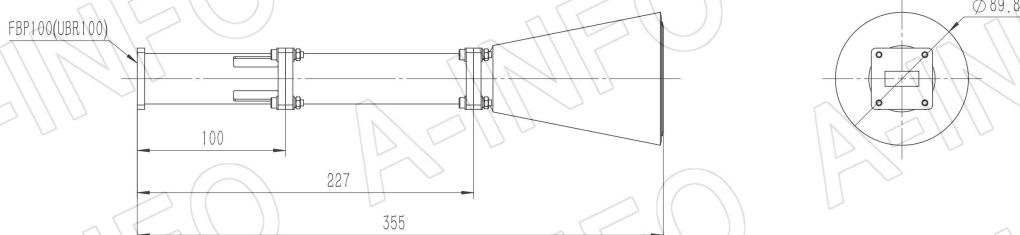
Technical Specification

Frequency Range(GHz)	8.2 – 12.4
Waveguide	WR90
Gain(dBic)	15 Typ.
Polarization	LHCP
Axial Ratio(dB)	1.5 Typ. ; 3.5 Max.
3dB Beamwidth(deg)	E Plane: 30 Typ.
	H Plane: 30 Typ.
VSWR	A Type: 1.15:1 Typ.
	C Type: 1.25:1 Typ.
Output	A Type: FBP100(UBR100) SMA-Female or N-Female
	C Type: TNC-Female or 7mm or 3.5mm-Female
Material	Al
Finish	Chemical Conversion Coating, Gray Paint
Size(mm)	A Type: 89.8 x 89.8 x 355
	C Type: 89.8 x 89.8 x 393
Net Weight(Kg)	A Type: 0.76 Around
	C Type: 0.82 Around

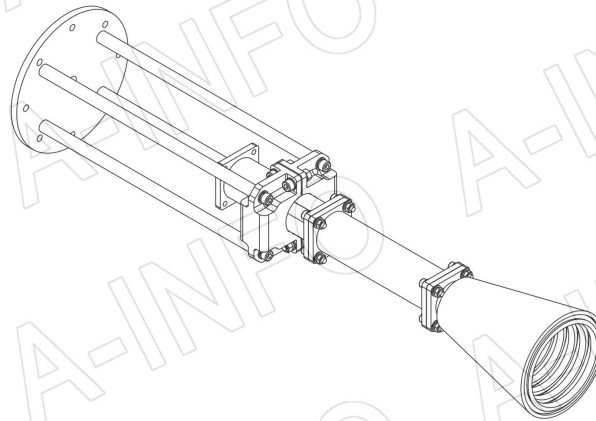
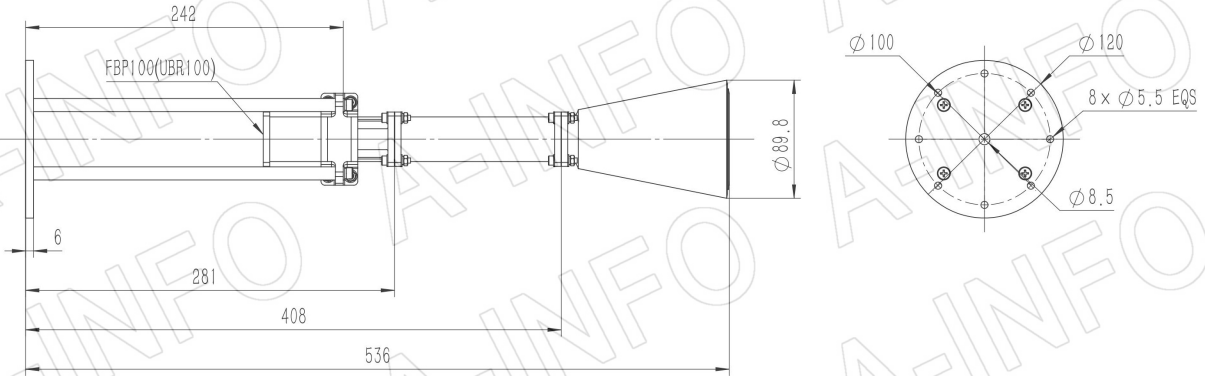


Outline Drawing (Size: mm)

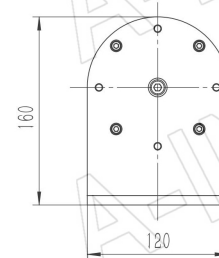
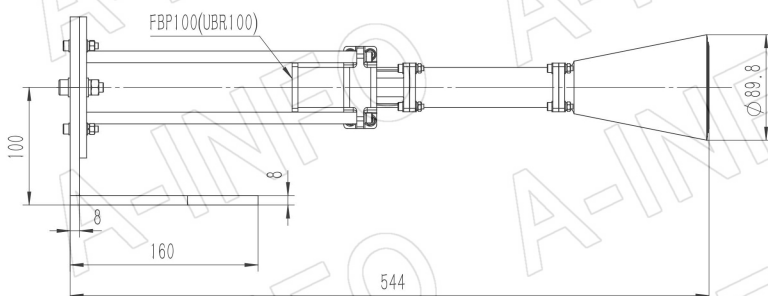
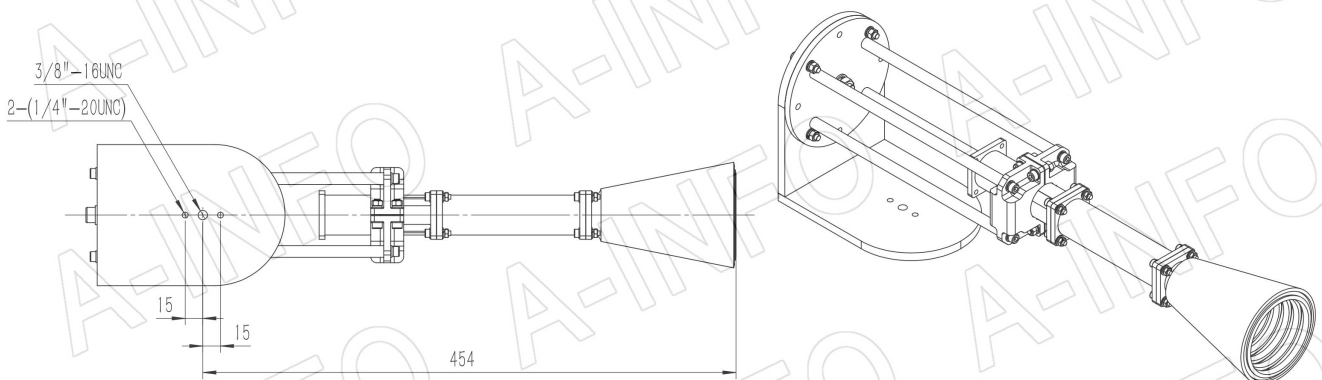
FBP100 Output (P/N: LB-CH-90-15-L02-A)



FBP100 Output with Round Mounting Bracket (Option, P/N: LB-CNH-90-10-MB)

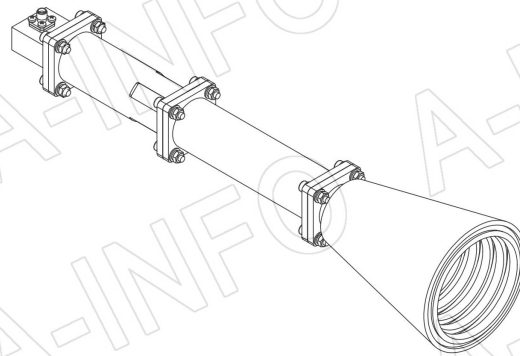
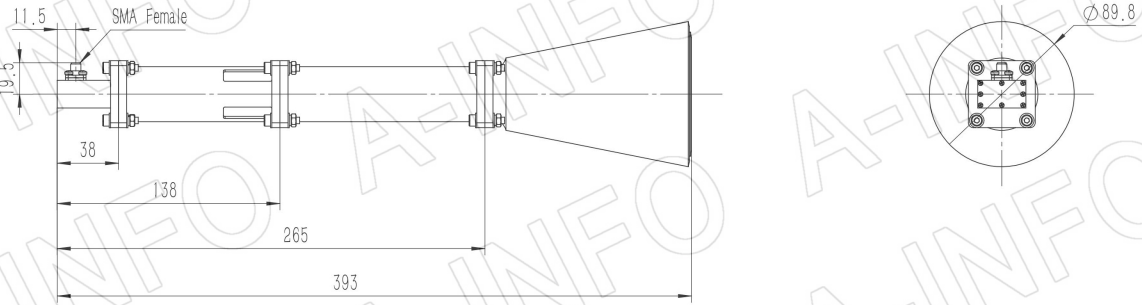


FBP100 Output with L Type Mounting Bracket (Option, P/N: LB-CNH-90-10-MBL)



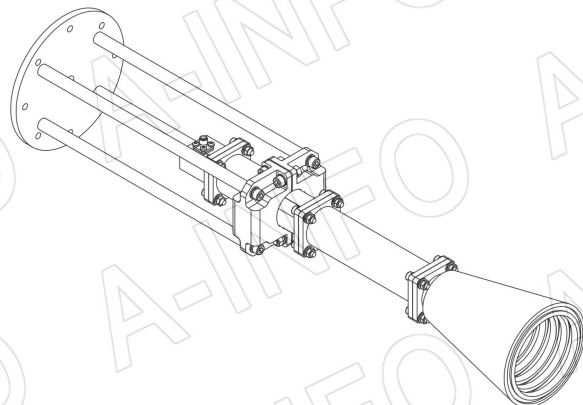
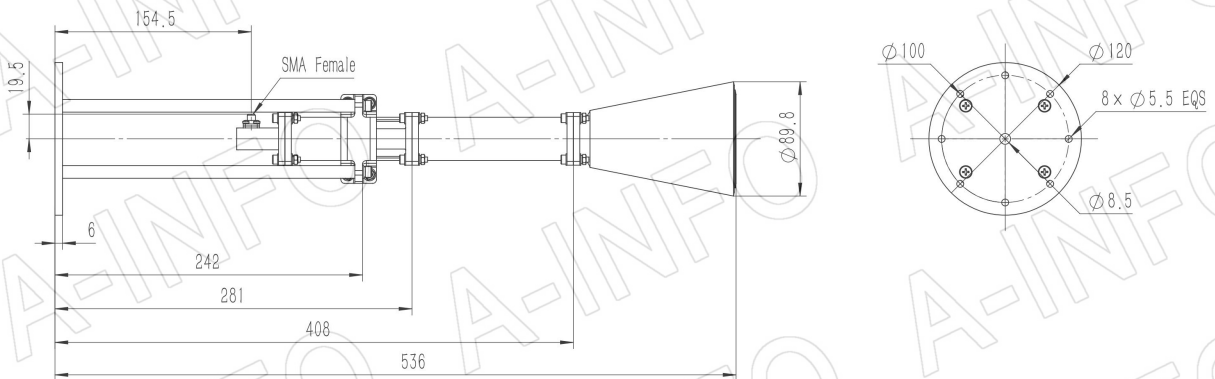
SMA-Female Output (P/N: LB-CH-90-15-L02-C-SF)

For N-Female, TNC-Female, 7mm or 3.5mm-Female output outline drawing, please contact A-INFO.



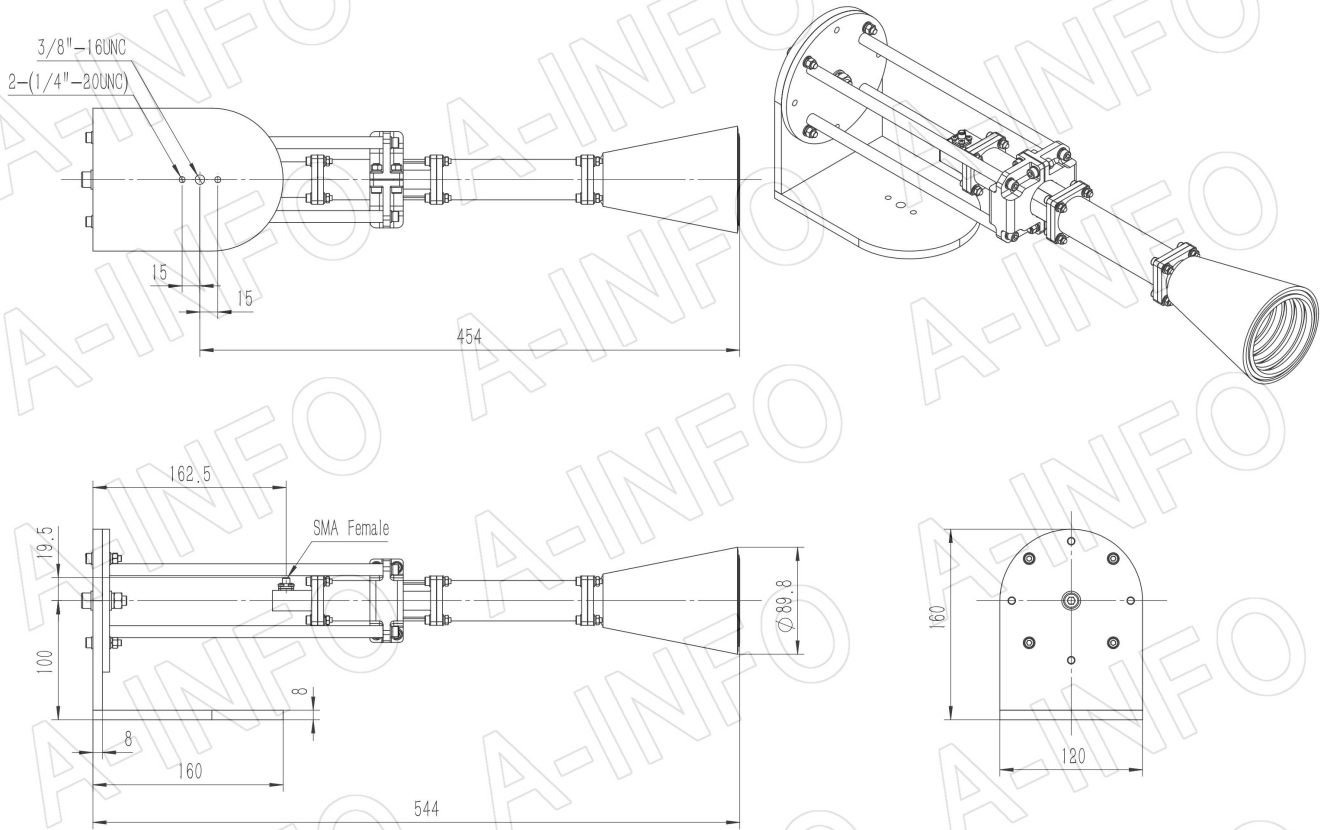
SMA-Female Output with Round Mounting Bracket (Option, P/N: LB-CNH-90-10-MB)

For N-Female, TNC-Female, 7mm or 3.5mm-Female output outline drawing, please contact A-INFO.

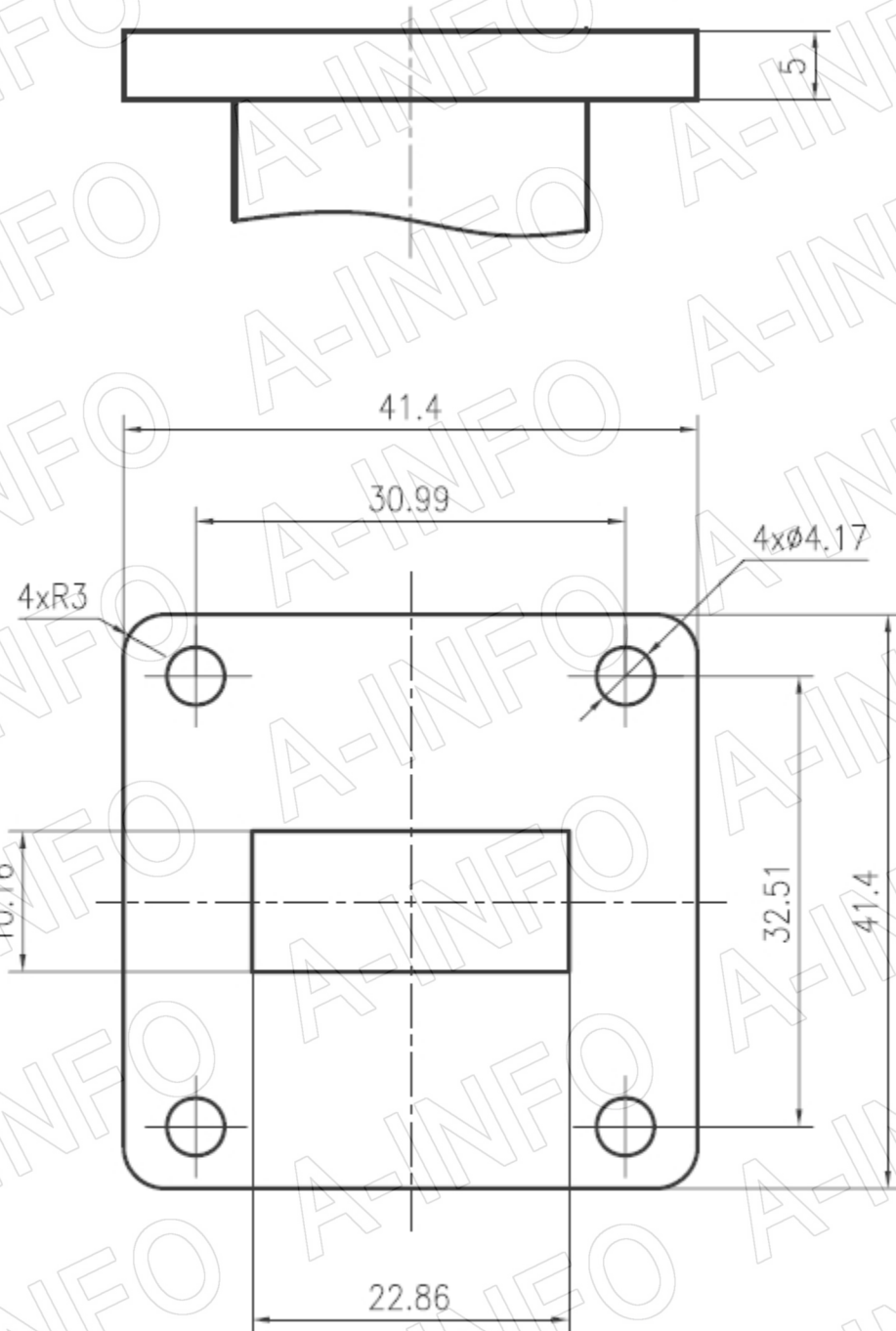


SMA-Female Output with L Type Mounting Bracket (Option, P/N: LB-CNH-90-10-MBL)

For N-Female, TNC-Female, 7mm or 3.5mm-Female output outline drawing, please contact A-INFO.



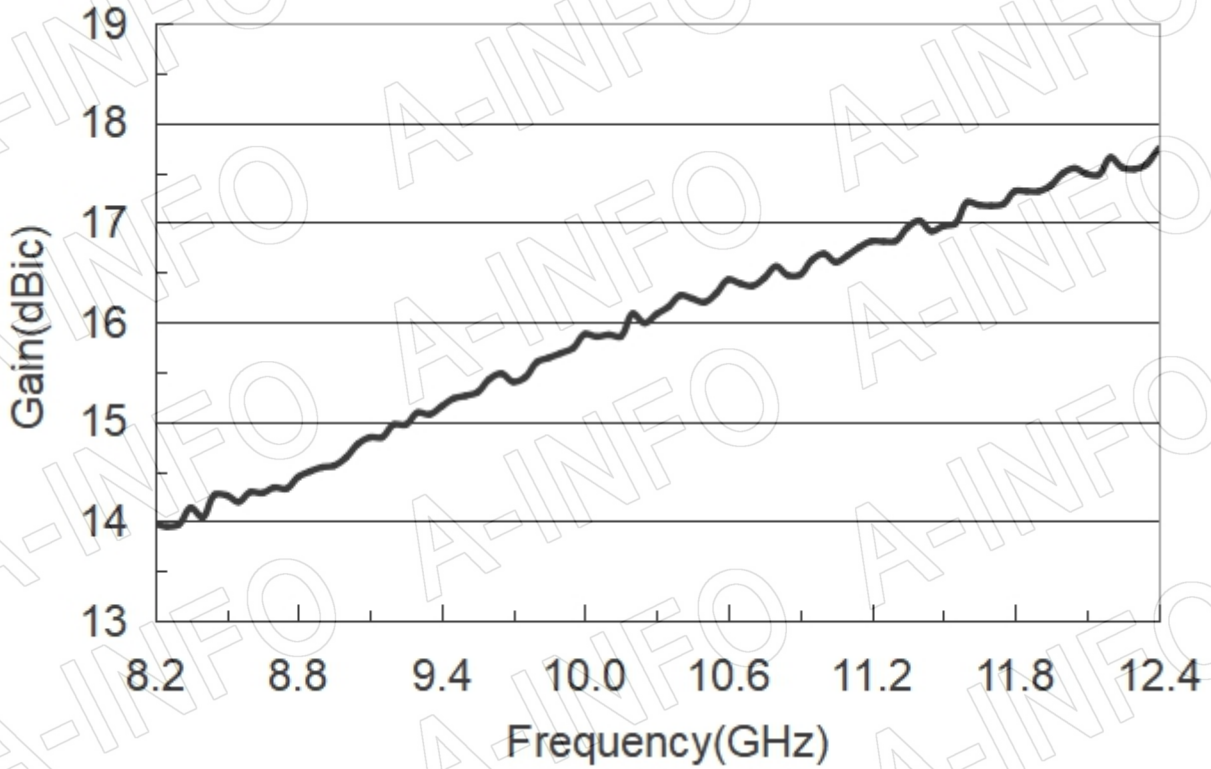
Flange Drawing (Size: mm)



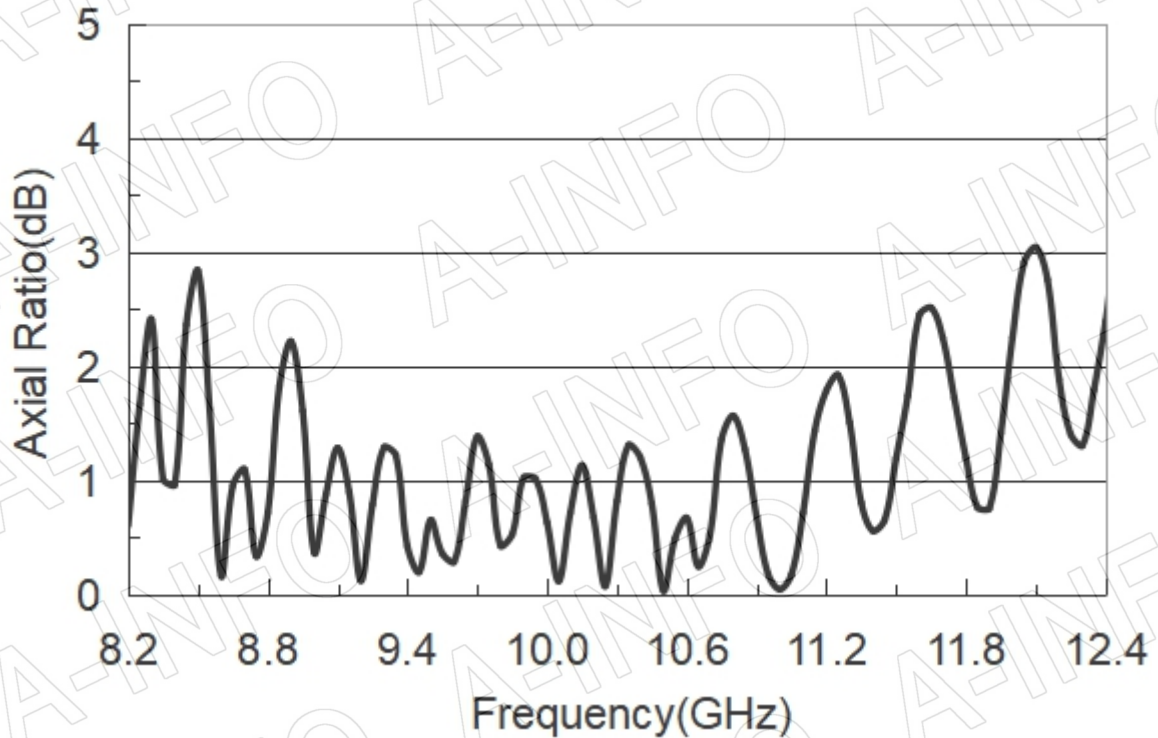
FBP100

Test Results

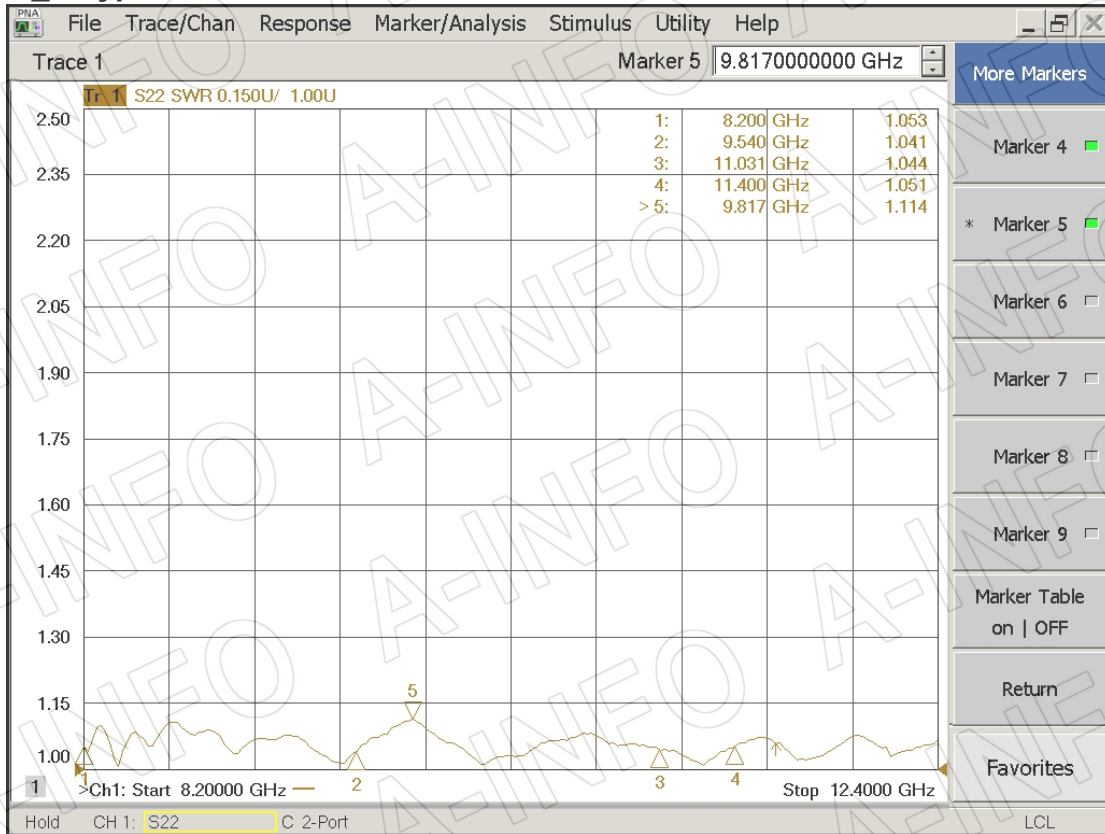
1. Gain



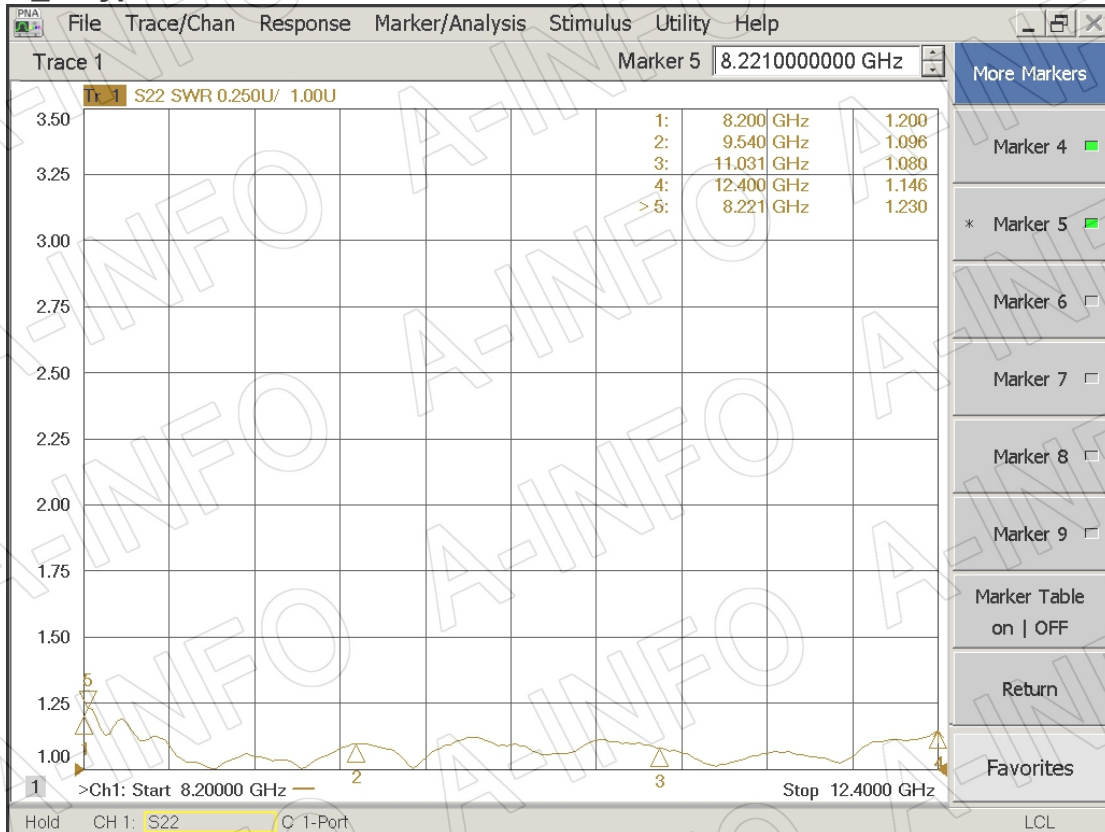
2. Axial Ratio



3. VSWR_A Type



VSWR_C Type



4. Pattern

